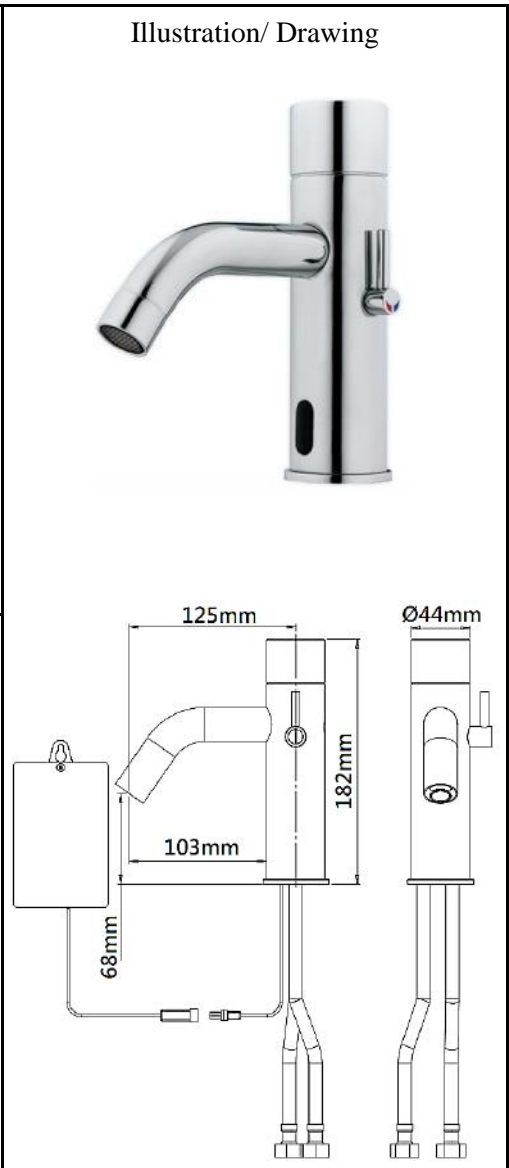




| | | | | | | |
|----------|--|------|--|-----|-----------|--|
| PROJECT | | REF | | REV | ITEM CODE | |
| LOCATION | | DATE | | | PAGE | |

SANITARY WARE SPECIFICATION SHEET

| | |
|-------------------|---|
| Item Descriptions | Stern (Israel) "Extreme 1000 LF" Chrome plated deck mounted lead free version adjust water temperature sensor mixer in 9V DC Supply with IP67 waterproof battery box |
| Dimensions | L103 x W44 x H182 mm |
| Model | Extreme 1000 LFB |
| Code Number | 237102 |
| Finish | Chrome Plated |
| Supplier | Acme Sanitary Ware Co. Ltd Mr. Eric Wong/ Mr. Don Yuen |
| Contact Tel/Fax | (852) 2388-7171 / (852) 2710-8012 |
| E-mail | acme@acmesanitary.com.hk |
| Website | www.acmesanitary.com.hk |



EXTREME 1000 LFB Ref # 237102

Touch-free electronic faucet for deck-mounted installations. Lead free version with concealed sensor at spout. Activated by concealed sensor built into the spout. For hot and cold water, includes a mixer for water temperature adjustment. Filters included. Chrome plated body, other finishes available. Includes a low battery indicator. Latching solenoid valve is located above deck inside the product for added vandal protection. Regular faucet installation with simple battery connection. Adjustable settings by remote control: sensor range, security time, delay in, delay out, on-off and reset to factory settings. 24 hour mandatory hygiene flush available upon request.

Application:

Deck-mounted faucet. Combining an elegant minimalist design with anti-vandal features. Easy installation. Long lasting even in the harshest installation sites. Helps washrooms stay clean and saves water. Prevents cross contamination. Ideal for stadiums, train and bus stations and highway rest stops.

Use:

Touch-free electronic faucet. The faucet is automatically activated when users place their hands in the sensor range and stops when the users remove their hands.

PRODUCT AT A GLANCE

| | |
|----------------------|--|
| Installation | Deck mounted |
| Power Supply | 9V transformer or 9V battery |
| Operating pressure | 0.5-8.0 bar / 7.0-116.0 PSI For greater water pressure please use a pressure reducing valve |
| Water supply | Hot and cold water |
| Water Saving Options | 4 LPM / 1 GPM - HONEYCOMB TT, 1.89 LPM / 0.5 GPM ; PCA SPRAY |
| Water temperature | 70°C Maximum |
| Security Time | Auto shutoff after 90 seconds. adjustable by remote control |

| ORDERING INFORMATION | | | OPTIONS | |
|----------------------|--------|----------------|---|----------|
| MODEL | CODE | POWER | OPTION | CODE |
| EXTREME 1000 LFB | 237102 | 9V transformer | Remote control | 07100005 |
| | | | Matching battery-powered soap dispenser | 237920 |
| EXTREME 1000 LFE | 237003 | 9V battery | Matching transformer-powered soap dispenser combination | 237920 |

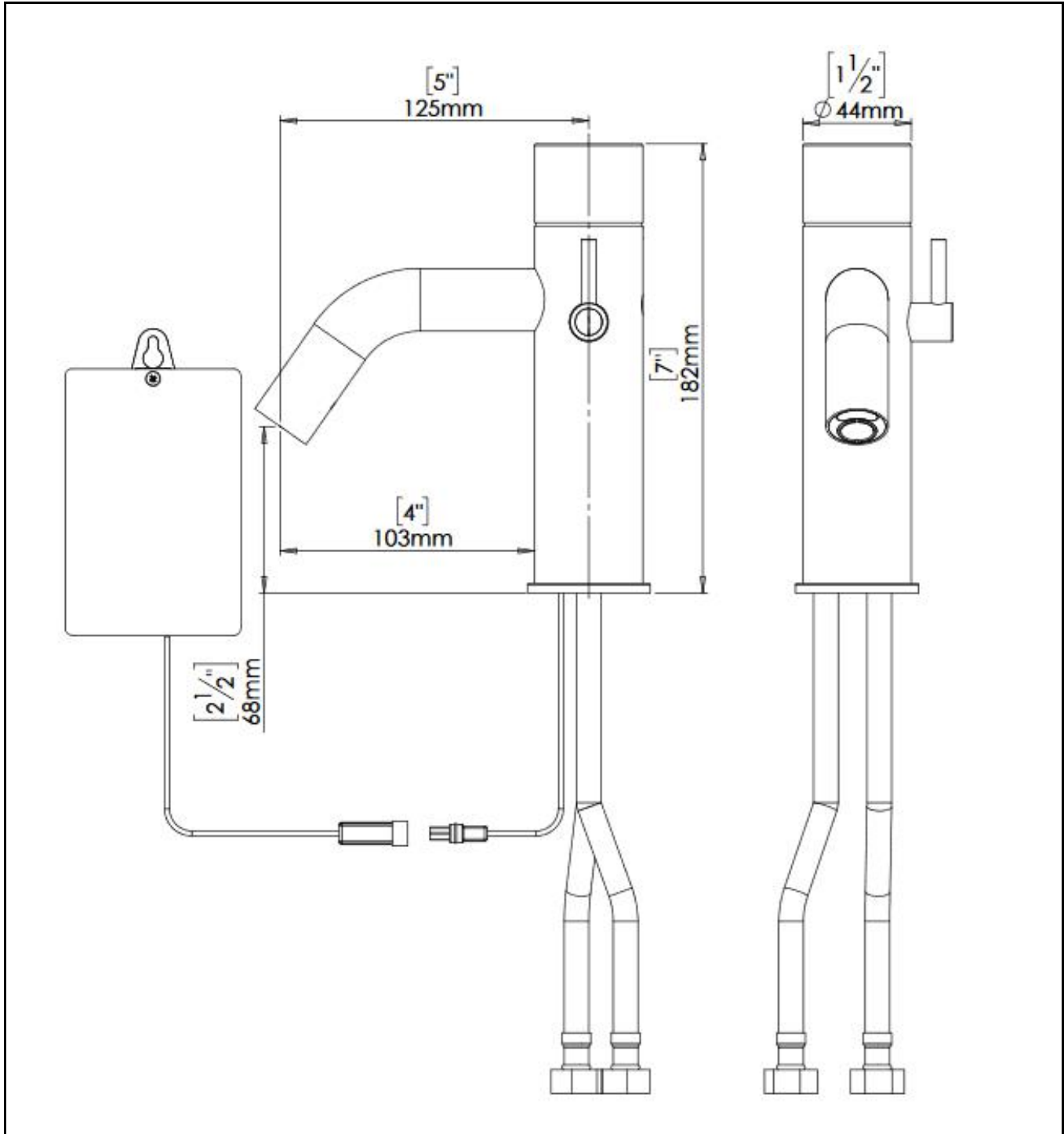
- Installation:**
Lavatory mounted
- Water supply:**
Hot & Cold (2 inlets)
- Water temperature:**
Max 70 °C
- Operating pressure:**
0.5 - 8.0 bar
- Power source:**
9V Alkaline battery
- Stern Soap & Water:**
Extreme matching soap dispenser

* All information of the above is for the reference only. No prior notice is made if any changes.



| | | | | | | |
|----------|--|------|--|-----|-----------|--|
| PROJECT | | REF | | REV | ITEM CODE | |
| LOCATION | | DATE | | | PAGE | |

SPARE PARTS LIST



Note: In order to locate the relevant spare part, please check the corresponding parts and part number in the drawing. Minimum order quantity will be required.

** All information of the above is for the reference only. No prior notice is made if any changes.*

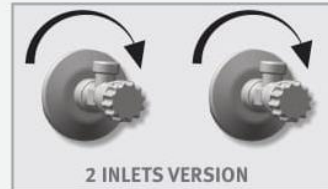


INSTALLATION

STEP 1 – PREPARATION FOR MOUNTING THE FAUCET

1

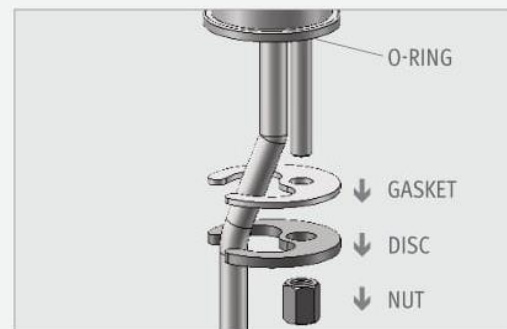
Shut off the water supply.



2 INLETS VERSION

2

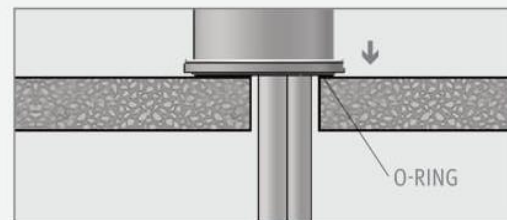
Remove the hexagonal nut, the disk and the gasket. Do not remove the O-ring from the base of the faucet.



STEP 2 – INSTALLING THE FAUCET

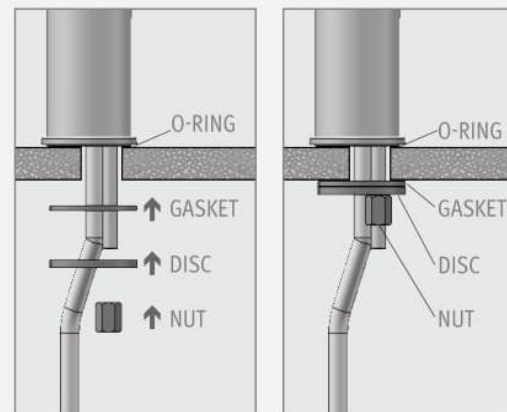
1

Place the faucet with O-ring into the hole in deck or lavatory. Make sure the O-ring is located between the deck or lavatory and the bottom of the faucet.



2

Slide the gasket, disk and hexagonal nut over the flexible hose and secure the faucet into place.





INSTALLATION

STEP 3 – CONNECTING THE WATER SUPPLY

1

Connect the red flexible pipe to the hot water supply and the blue flexible pipe to the cold water supply.



MAKE SURE THAT THE FILTERS ARE INSTALLED BETWEEN THE FLEXIBLE PIPE AND THE SHUT OFF VALVE/ANGLE VALVE (NOT SUPPLIED).

2

Turn on the central water supply and the shut-off valves (angle valves). Check for leaks.

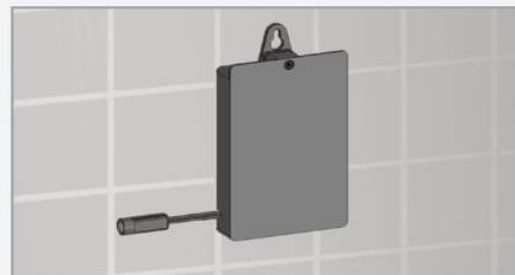


STEP 4 – CONNECTING THE POWER SOURCE

BATTERY VERSION

Install the batteries in the battery box and attach the box to the wall underneath the sink.

The cable connection must point down. (You can use an optional extension cable in order to assemble the battery box up to 3 meters away from the sink.)



TRANSFORMER VERSION

Plug the transformer into the electricity socket and connect the connectors.





TROUBLESHOOTING

| PROBLEM | INDICATOR | CAUSE | SOLUTION |
|--|---|---|--|
| No water coming out of the faucet: | 1. Sensor flashes continuously when user's hands are within the sensor's range. | Low battery. | Replace battery |
| | 2. LED in the sensor does not flash once when user's hands are within the sensor's range. | 1. Range is too short. | Increase the range |
| | | 2. Range is too long. | Decrease the range |
| 3. LED in the sensor flashes once when user's hands are within the sensor's range. | 1. Connectors between the electronic unit and solenoid are disconnected. | 3. Battery is completely used up | The battery must be replaced. |
| | | 4. Unit is in "Security Mode" | |
| | 5. Sensor is picking up reflections from the washbasin or another object. | Eliminate cause of reflection. | |
| Water flow from spout does not stop: | 1. Sensor flashes once when user's hands are within the sensor's range. | 2. The water supply pressure is higher than 8 bar. | Reduce the supply water pressure. |
| | | 3. The water supply pressure is under 8 bars and yet the pressure in the faucet's body is higher. This situation could be caused by a sudden increase in the water supply pressure that the back check prevents from dropping, even after water supply pressure drops under 8 bars. | Shut off water supply and unscrew one of the flexible pipes in order to reduce the pressure that blocks the product. |
| | 2. LED in the sensor does not flash once when user's hands are within the sensor's range. | 1. Sensor is dirty or covered.** | Clean or eliminate cause of interference. |
| Water flow diminished | | 2. Sensor is picking up reflections from the washbasin or another object. | Decrease the range or eliminate cause of reflection. |
| | | Filter or aerator is clogged or the solenoid is dirty. | Remove, clean, re-install |

* "Security Mode": If the sensor is covered for more than 90 sec. the faucet will automatically shut off water flow. In order to return to normal operation, remove any blockage.

** In this case, the water flow will stop anyway after 90 seconds because of the security time.